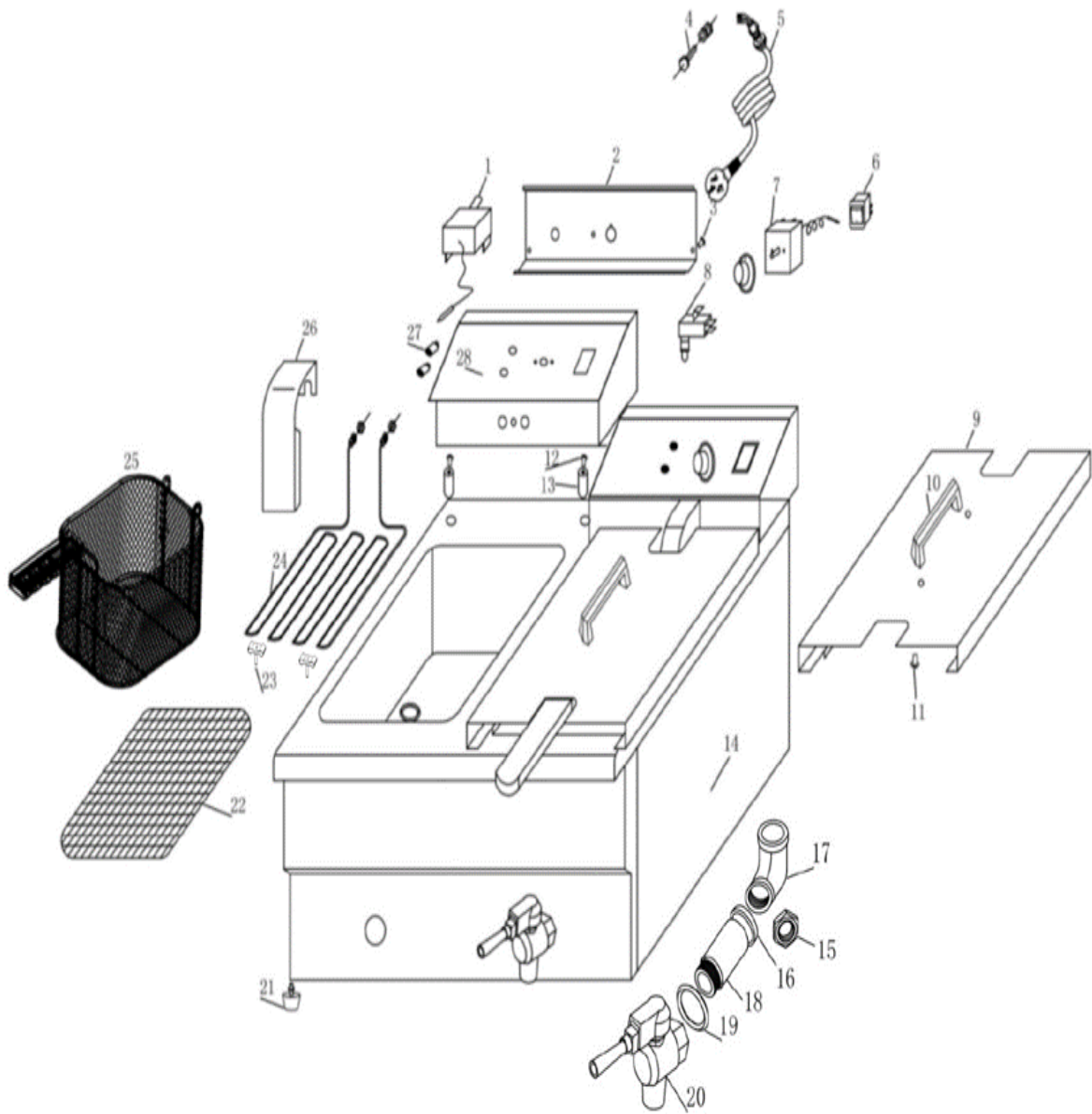


# BF8(8+8) Fryer

Exploded parts diagram







Part Number	Number	Description	Qty
B3-ZGF8F001	1	Temperature Limiter	2
***	2	Electric Terminal Box Panel	2
***	3	Screw	4
***	4	Ground Screw	2
***	5	Power Cord	2
B3-ZGF8F006	6	Power Switch	2
B3-ZGF8F007	7	Thermostat	2
B3-ZGF8F008	8	Micro Switch	2
***	9	Lid	2
***	10	Lid Handle	2
***	11	Handle Fixing Screw	4
***	12	Screw	4
***	13	Nut	1
***	14	Outer Shell	1
B3-ZGF8F015	15	Oil Drainage Tap	2
B3-ZGF8F016	16	Drain Seal	2
***	17	Drain Elbow	2
***	18	Drain Pipe	2
B3-ZGF8F019	19	Drain Washer	2
B3-ZGF8F020	20	Drainage Hose	4
B3-ZGH811047	21	Rubber Feet	4
B3-ZGF8F022	22	Oil Filter	2
B3-ZGF8F023	23	Heating Element Supports	2
B3-ZGF8F0231	23	Heating Element Supports (+8)	2
B3-ZGF8F024	24	Heating Element	2
B3-ZGF8F025	25	Frying Basket	2
B3-ZGF6026	26	Element Cover	2
***	27	Heating Indicator Light	2
***		Power Indicator Light	2
***	28	Control Panel	2
B3-ZGF8F029	29	Thermostat Knob	2
B3-ZGF8F030	30	Frying Basket Handle	2

\*\*\* Please contact Spares for assistance \*\*\*